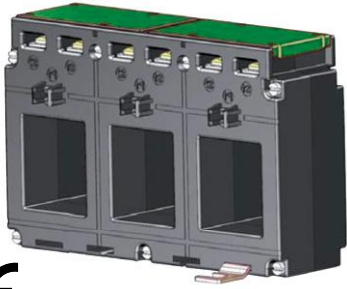


LCTP - 3-PHASE BUSBAR SERIES



INPUT:

100 A
...
500 A

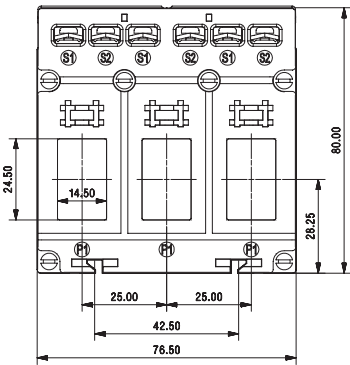
OUTPUT:

5 A

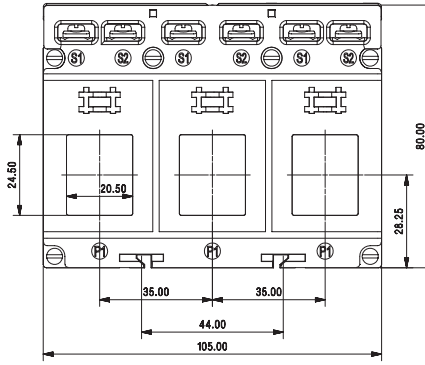
	LCTP 75/15 (60)	LCTP 105/21 (40)	LCTP 140/31 (40)
Busbar	14 x 24 mm	20 x 24 mm	31 x 36 mm
Depth	60 mm	40 mm	40 mm
Width	76.5 mm	105 mm	140 mm
Primary current	100...160 A	100...250 A	250...500 A
Secondary current	5 A; 1 A		
Accuracy class	0.5; 1		

DIMENSIONS

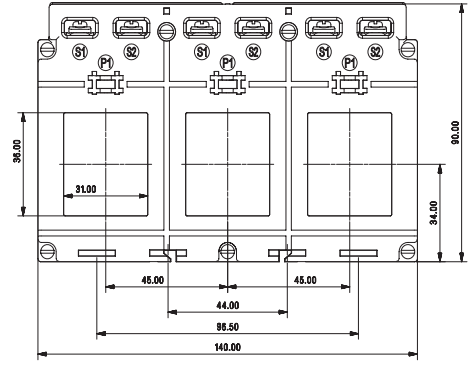
LCTP 75/15 (60)



LCTP 105/21 (40)



LCTP 140/31 (40)

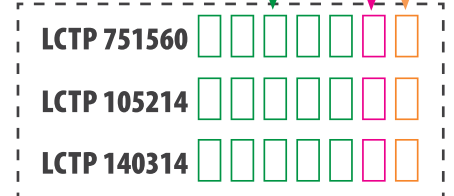


ORDERING CODES

Transformer type	LCTP 75/15 (60)		LCTP 105/21 (40)		LCTP 140/31 (40)	
Accuracy class	0.5	1	0.5	1	0.5	1
Code	5	1	5	1	5	1

Code	Primary current	Transformer burden					
0100A	100 A	-	1 VA	-	1 VA	-	-
0125A	125 A	-	1.5 VA	-	1.5 VA	-	-
0150A	150 A	1.5 VA	1.5 VA	-	1.5 VA	-	-
0160A	160 A	1.5 VA	1.5 VA	1.5 VA	1.5 VA	-	-
0200A	200 A	-	-	1.5 VA	1.5 VA	-	-
0250A	250 A	-	-	1.5 VA	1.5 VA	1.5 VA	1.5 VA
0300A	300 A	-	-	-	-	2.5 VA	2.5 VA
0400A	400 A	-	-	-	-	2.5 VA	2.5 VA
0500A	500 A	-	-	-	-	2.5 VA	2.5 VA
0600A	600 A	-	-	-	-	2.5 VA	2.5 VA
0630A	630 A	-	-	-	-	2.5 VA	2.5 VA

Secondary current	Code
x/5A	5
x/1A	1



Ordering example: Order code LCTP 7515600150A55 means the transformer LCTP 75/15(60) 150/5A; Class 0.5; power 1.5VA

ACCESSORIES:
DIN rail mounting base
Order code: LH000-0904-130-124

LCTP - 3-PHASE BUSBAR SERIES

	LCTP 185/27 (45)	LCTP 185/37 (45)
Hole diameter	∅ 27 mm	∅ 37 mm
Depth	45 mm	45 mm
Width	185 mm	185 mm
Primary current	100...500 A	300...800 A
Secondary current	5A; 1 A	
Accuracy class	1	

INPUT:

100 A
...
800 A

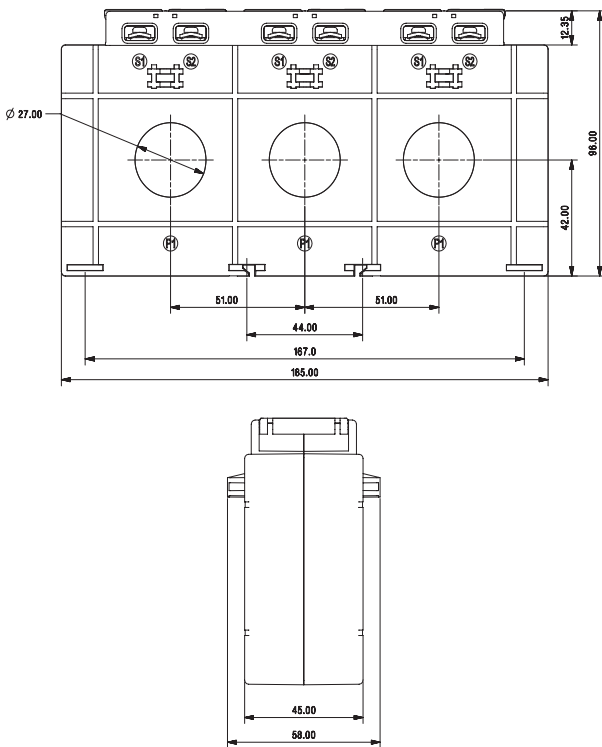
OUTPUT:

5 A

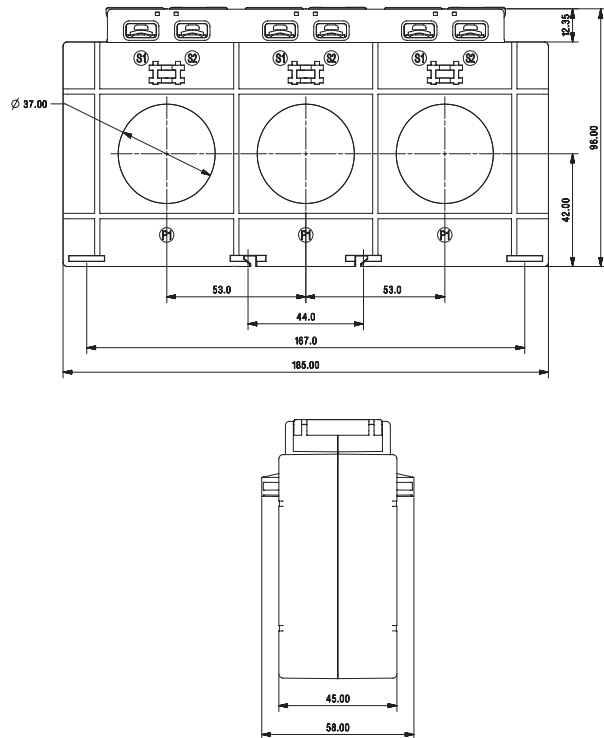


DIMENSIONS

LCTP 185/27 (45)



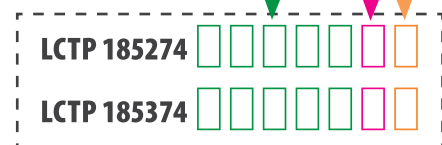
LCTP 185/37 (45)



ORDERING CODES

Transformer type	LCTP 185/27 (45)	LCTP 185/37 (45)	
Accuracy class	1	1	
Code	1	1	
Code	Primary current	Transformer burden	
0100A	100 A	1.5 VA	-
0150A	150 A	1.5 VA	-
0200A	200 A	2.5 VA	-
0250A	250 A	2.5 VA	-
0300A	300 A	5 VA	2.5 VA
0400A	400 A	5 VA	5 VA
0500A	500 A	5 VA	5 VA
0600A	600 A	-	5 VA
0800A	800 A	-	5 VA

Secondary current	Code
x/5A	5
x/1A	1



Ordering example: Order code LCTP 1852740150A51 means the transformer LCTP 185/27(45) 150/5A; Class 1; power 1.5VA

ACCESSORIES:

DIN rail mounting base

Order code: LH000-0904-130-124