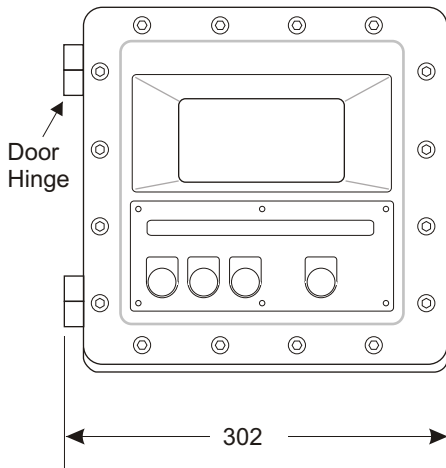


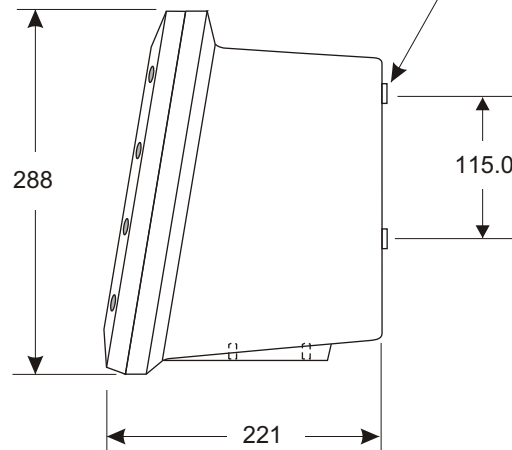
# Ex 410 Enclosures

(all dimensions in mm)

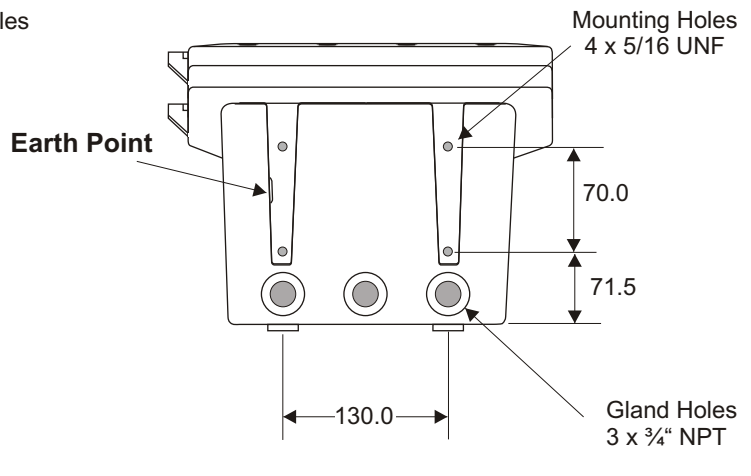
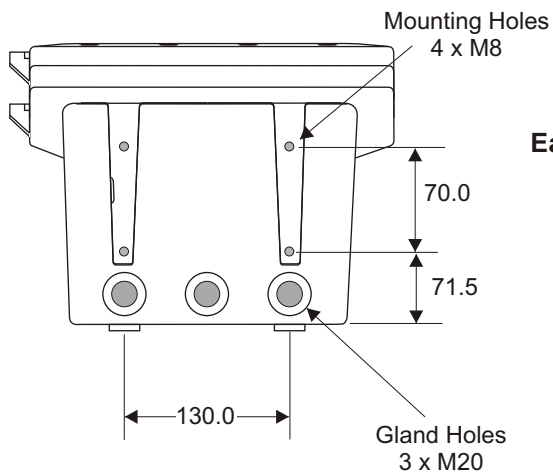
**Ex 410 Enclosure with 5 Keys**



Mounting Holes (4) on rear  
Metric thread M8  
NPT thread 5/16 UNF



**Bottom View**



**Enclosure with 3 x M25 Gland holes**

**Enclosure with 3 x 3/4" NPT Gland holes**

Material: Cast Aluminium  
Finish: Light beige powdercoat