

FLOWCOMPUTER

WITH TEMPERATURE AND PRESSURE
COMPENSATION FOR CORRECTED GAS VOLUME



Features

- Calculates compensated flowrate, total and accumulated total.
- Displays actual line pressure and temperature.
- Selectable on-screen engineering units; volumetric or mass.
- 7 digit resettable total.
- 11 digit accumulated total.
- Analog signal output.
- Very compact design for panel mount, wall mount or field mount applications.
- Operational temperature -30°C up to +80°C (-22°F up to 178°F).
- Rugged aluminum field mount enclosure IP67/NEMA4X.
- Intrinsically Safe
Ex II 1 GD EEx ia IIB/IIC T4 T100°C.
- Explosion/flame proof Ex II 2 GD EEx d IIB T5.
- Full Modbus communication RS232/485/TTL.
- Loop or battery powered, 8 - 24V AC/DC or 115 - 230V AC power supply.

Signal output

- (0)4 - 20mA / 0 - 10V DC according to compensated flowrate.

Signal input

Flow

- Reed-switch.
- NAMUR.
- NPN/PNP pulse.
- Sine wave (coil).
- Active pulse signals.
- (0)4 - 20mA.
- 0 - 10V DC.

Temperature

- PT100 - 2 or 3 wire.
- (0)4 - 20mA.
- 0 - 10V DC.

Pressure

- (0)4 - 20mA.
- 0 - 10V DC.

Applications

- Applications where nett gas flow calculation at base conditions is desired.

General information

Introduction

The flowcomputer Model F126-EG has been developed to calculate the gas volume at normal conditions for generic products, in most cases at 0°C (32 °F) and 1.013 Bar. If desired, any other temperature or pressure can be set. The corrected volumetric flow is calculated using the equations stored in the flowcomputer while a compressibility factor can be set to approach a real gas behaviour. A wide selection of options further enhance this models capabilities, including Intrinsic Safety and full Modbus communication.

Display

The display has large 17mm (0.67") and 8mm (0.31") digits which can be set to show flowrate, total, temperature and pressure. On-screen engineering units are easily configured from a comprehensive selection. The accumulated total can register up to 11 digits and is backed-up in EEPROM memory every minute.

Configuration

All configuration settings are accessed via a simple operator menu which can be pass-code protected. Each setting is clearly indicated with an alphanumerical description, therefore avoiding confusing abbreviations and baffling codes. Once familiar with one F-series product, you will be able to program all models in the series without a manual. All settings are safely stored in EEPROM memory in the event of sudden power failure.

Analog output signal

The calculated flowrate is re-transmitted with the (0)4 - 20mA or 0 - 10V DC output signal. The output signal is updated ten times per second with a filter function being available to smoothen out the signal if desired. The output value is user defined in relation to the flowrate, e.g. 4mA equals to 15Nm³/Hr and 20mA equals to 2000Nm³/Hr. The output signal can be passive, active or isolated where the passive output type will loop power the F126-EG as well.

Signal input

The flowcomputer measures the uncorrected volumetric flow, line temperature and pressure. The F126-EG will accept most pulse and analog input signals for flow. For the temperature measurement, 2 or 3 wire PT100 elements or sensors with a (0)4 - 20mA / 0 - 10V DC output signal can be used, just as for the pressure measurement.

Communication

All process data and settings can be read and modified manually or through the Modbus communication link (RS232 / RS485). Full Modbus functionality remains available for the Intrinsically Safe version (TTL).

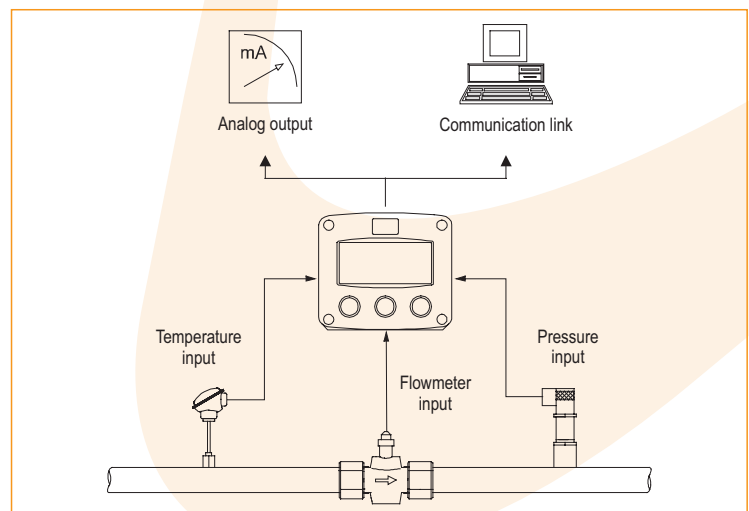
Hazardous areas

For hazardous area applications, this model has been ATEX certified Intrinsically Safe Ex II 1 GD EEx ia IIB / IIC T4 T100°C with an allowed operational temperature of -30°C to +70°C (-22°F to +158°F). A flame proof enclosure is also available with the rating Ex II 2 GD EEx d IIB T5.

Enclosures

Various types of enclosures can be selected, all ATEX approved. As standard the F126-EG is supplied in an ABS panel mount enclosure, which can be converted to an IP67 / NEMA 4X ABS field mount enclosure by the addition of a back case. Most popular is our rugged aluminum field mount enclosure with IP67 / NEMA 4X rating. Both European or U.S. cable gland entry threads are available.

Overview application F126-EG

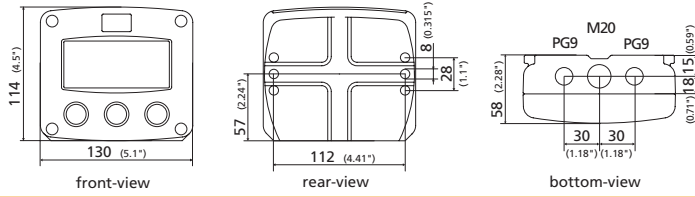


Dimensions enclosures

Enclosure HA

Aluminum field mount enclosure

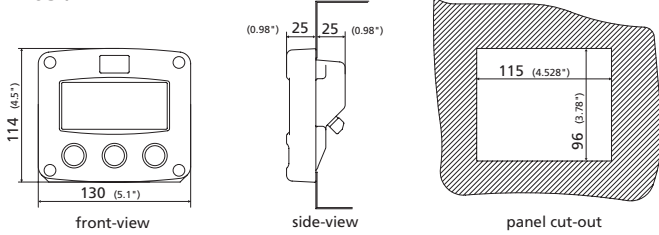
IP67 / NEMA 4X
Tapped holes: European thread



Enclosure HB

Aluminum panel mount enclosure

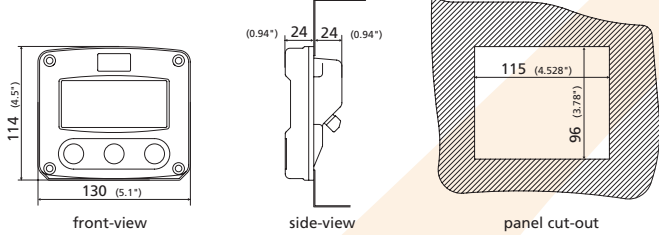
IP65 / NEMA 4



Enclosure HC (standard)

ABS panel mount enclosure

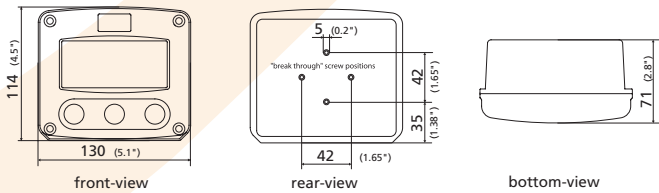
IP65 / NEMA 4



Enclosure HD

ABS wall mount enclosure

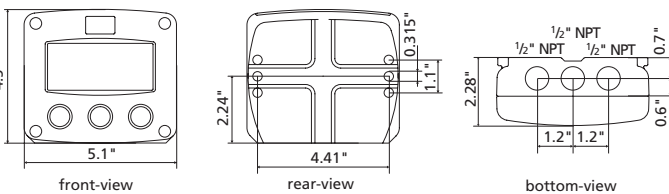
IP67 / NEMA 4X
Holes user defined



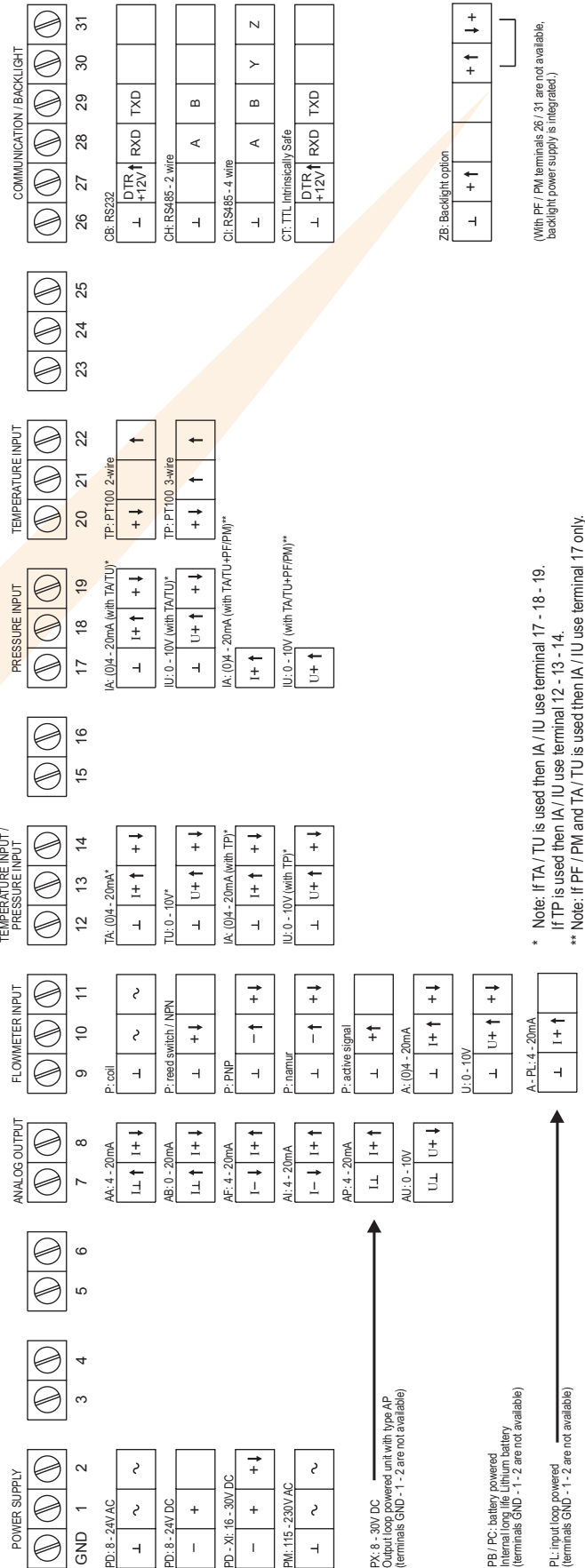
Enclosure HU

Aluminum field mount enclosure

IP67 / NEMA 4X
Tapped holes: U.S. thread

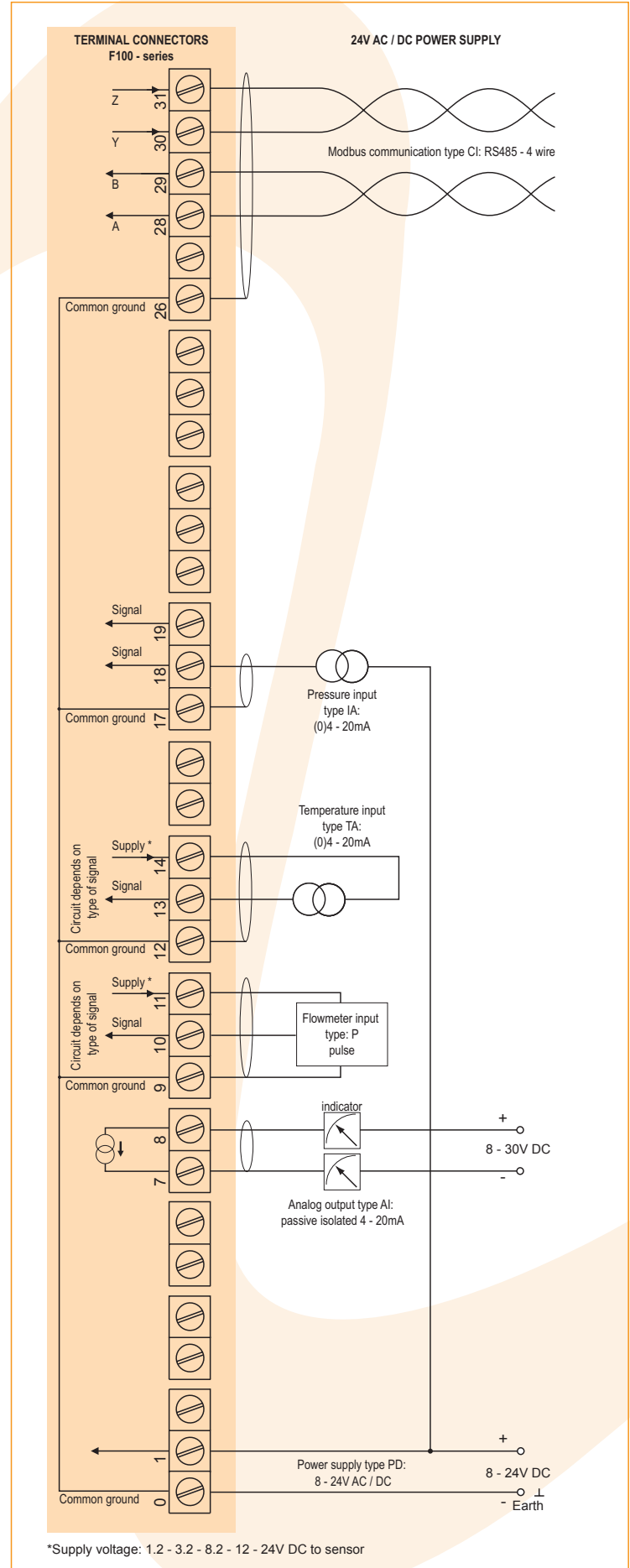
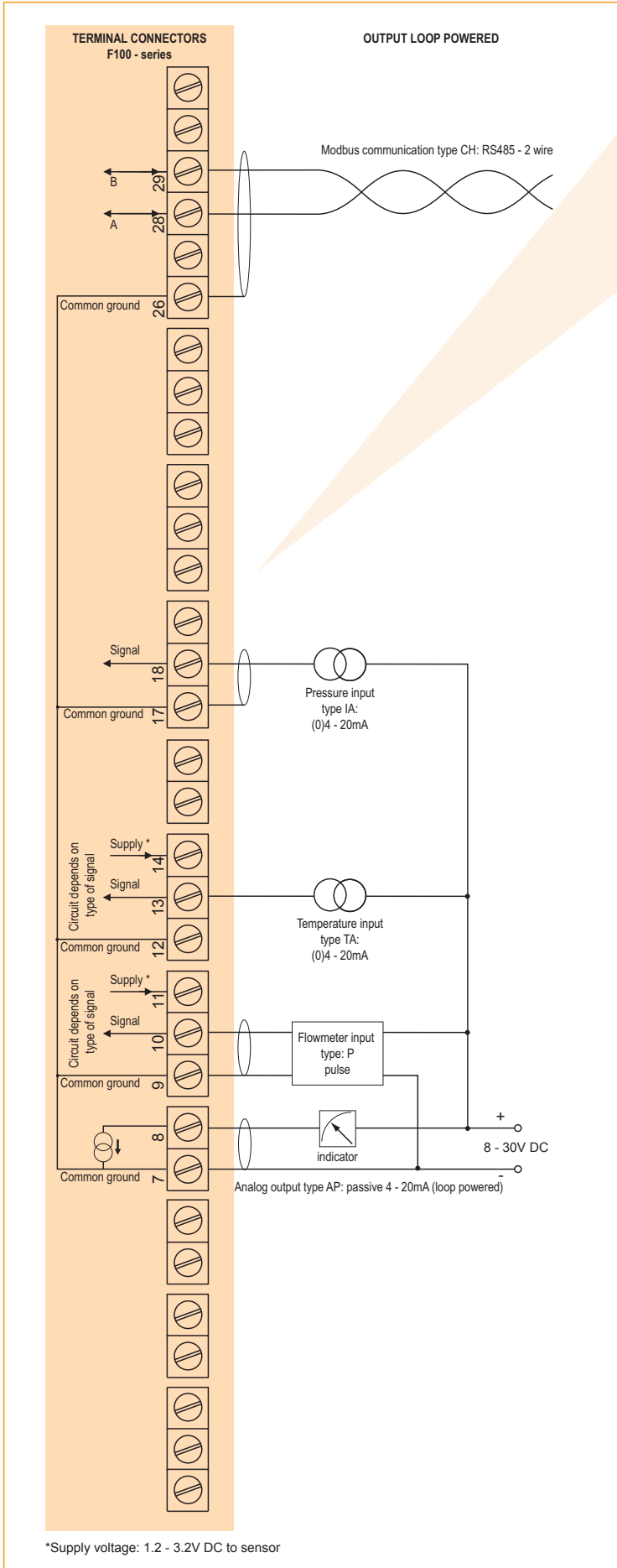


Terminal connections

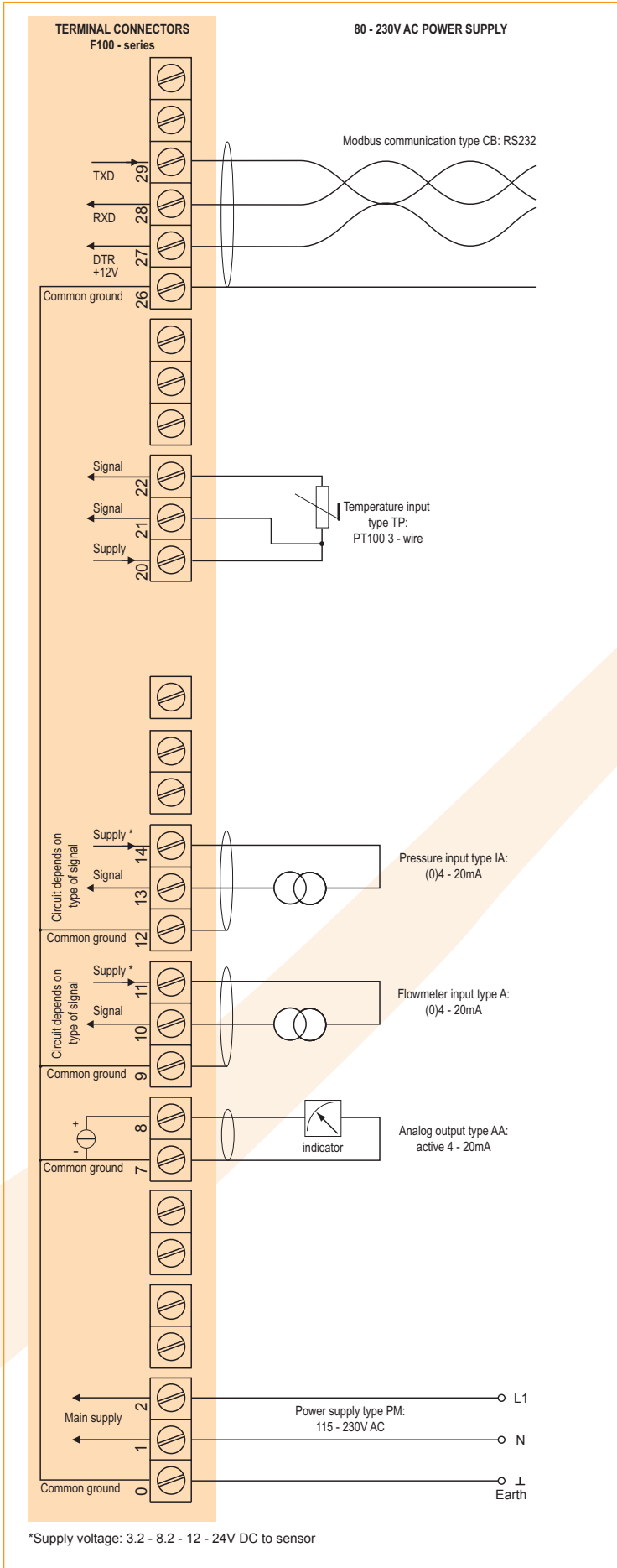


Typical wiring diagram F126-P-AP-CH-EG-IA-PX-TA

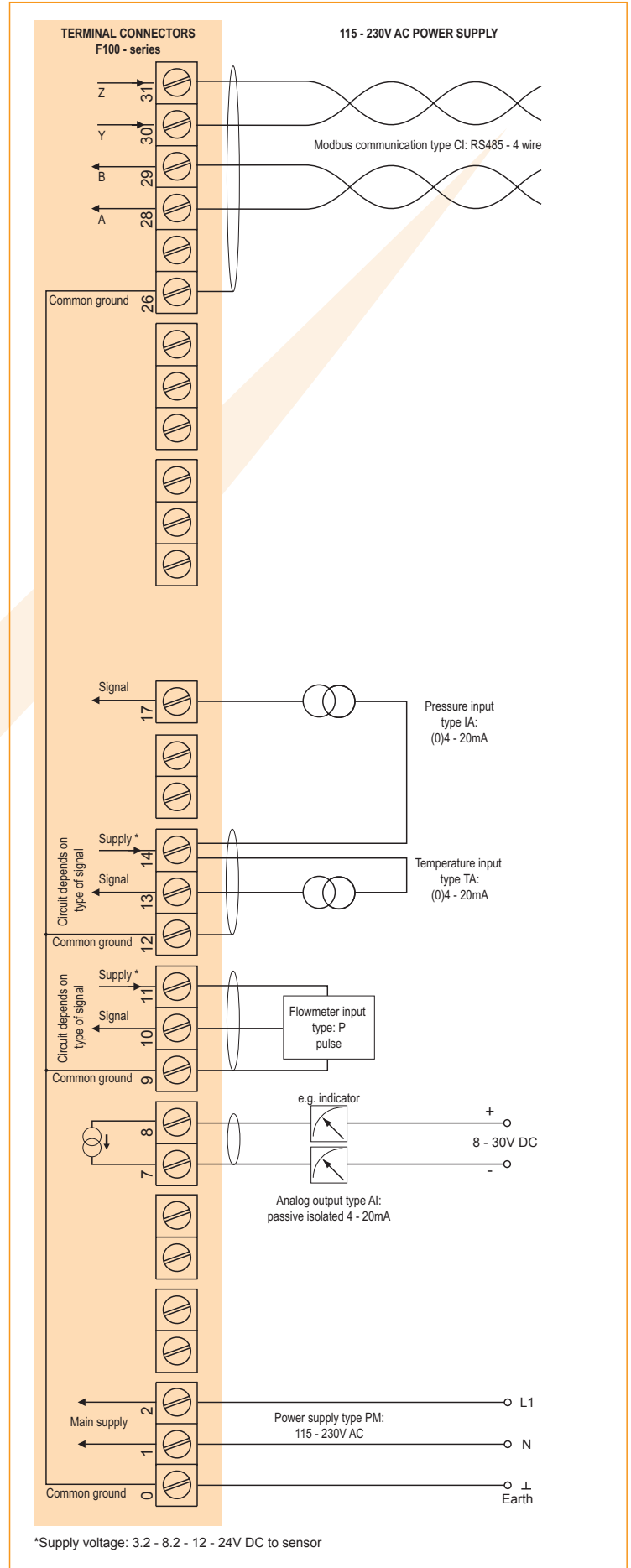
Typical wiring diagram F126-P-AI-CI-EG-IA-PD-TA




Typical wiring diagram F126-A-AA-CB-EG-IA-PM-TP




Typical wiring diagram F126-P-AI-CI-EG-IA-PM-TA



Hazardous area applications

The F126-EG-XI has been ATEX approved by KEMA for use in Intrinsically Safe applications. It is approved according to  II 1 GD EEx ia IIB/IIC T4 T100°C for gas and dust applications with an operational temperature range of -30°C to +70°C (-22°F to +158°F). It is allowed to connect up to five barriers in IIB applications or one barrier in IIC applications. Full functionality of the F126-EG remains available, including 4 - 20mA output according to the flowrate and Modbus communication (type CT). Power supply type PD-XI offers a 8.2V sensor supply e.g. for one Namur sensor and two analog sensors.

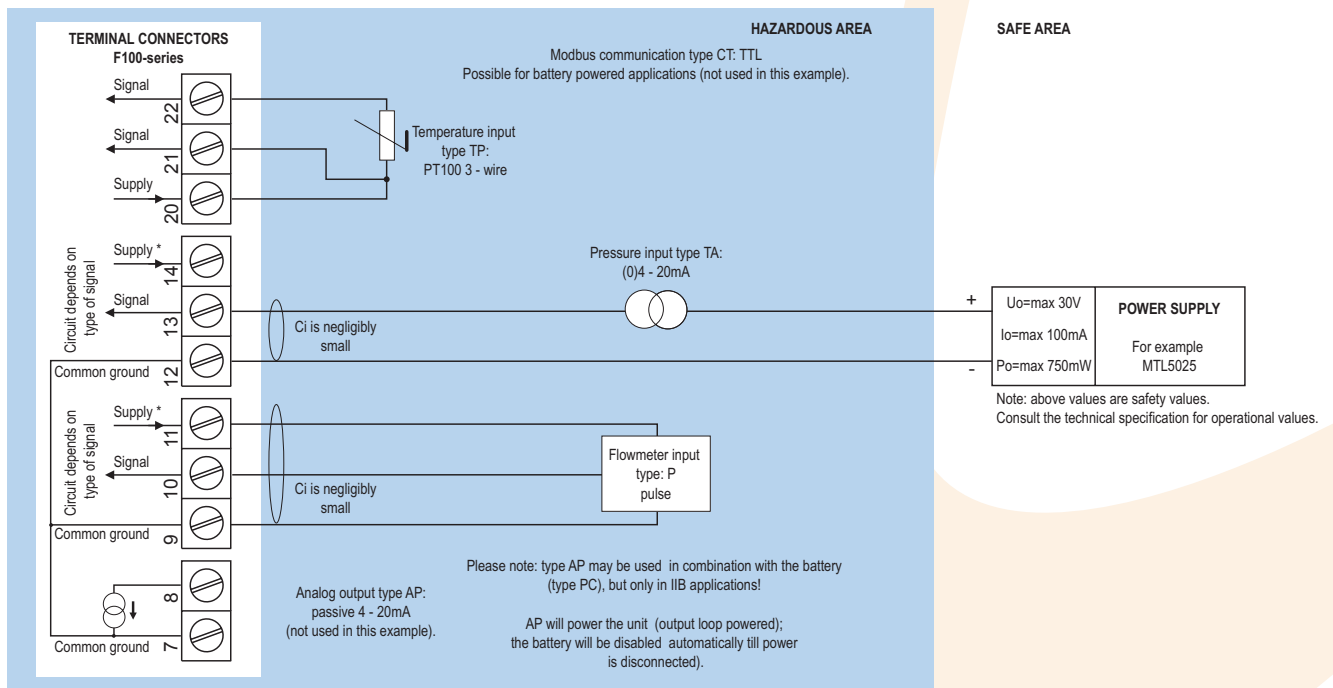
A flame proof enclosure with rating  II 2 GD EEx d IIB T5 is available as well. Please contact your supplier for further details.

Certificate of conformity KEMA 03ATEX1074 X



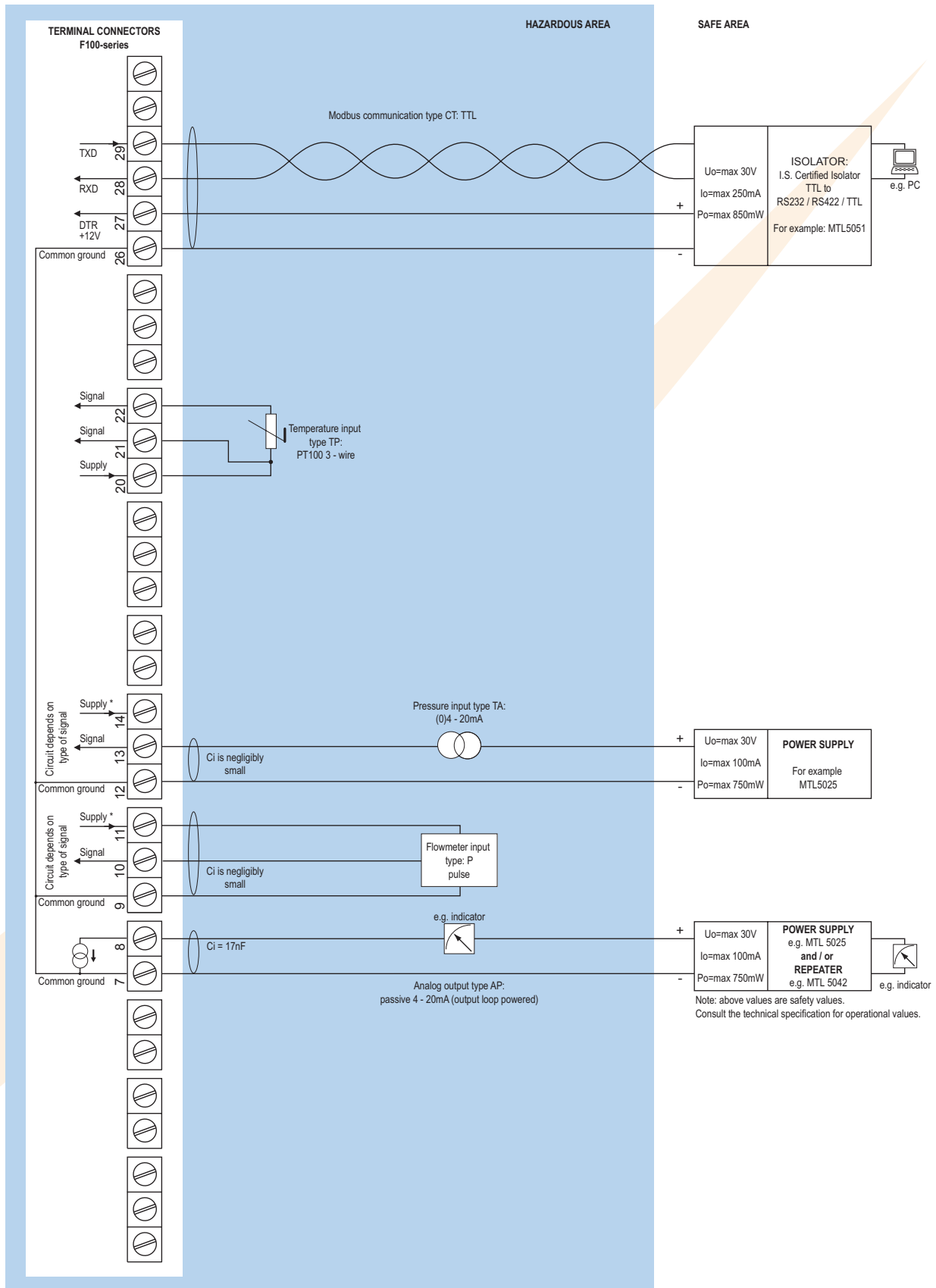
Configuration example IIB

F126-P-(AP)-(CT)-EG-IA-PC-TP-XI - Battery powered unit



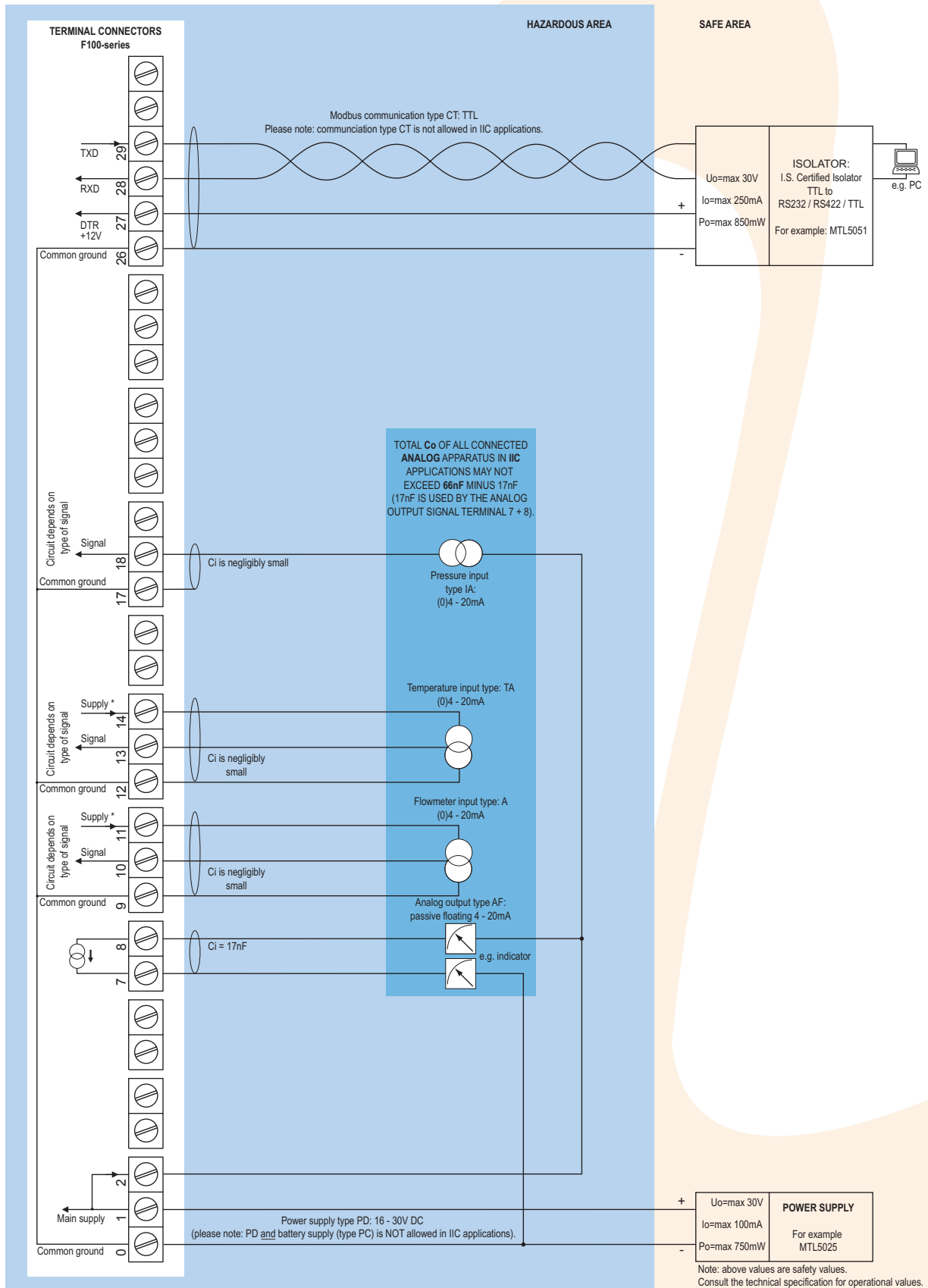
* Note sensor supply voltage: 1.2V DC for coil sensors or 3.2V DC for other pulse sensors.

Configuration example IIB - F126-P-AP-CT-EG-IA-PX-TP-XI - Output loop powered



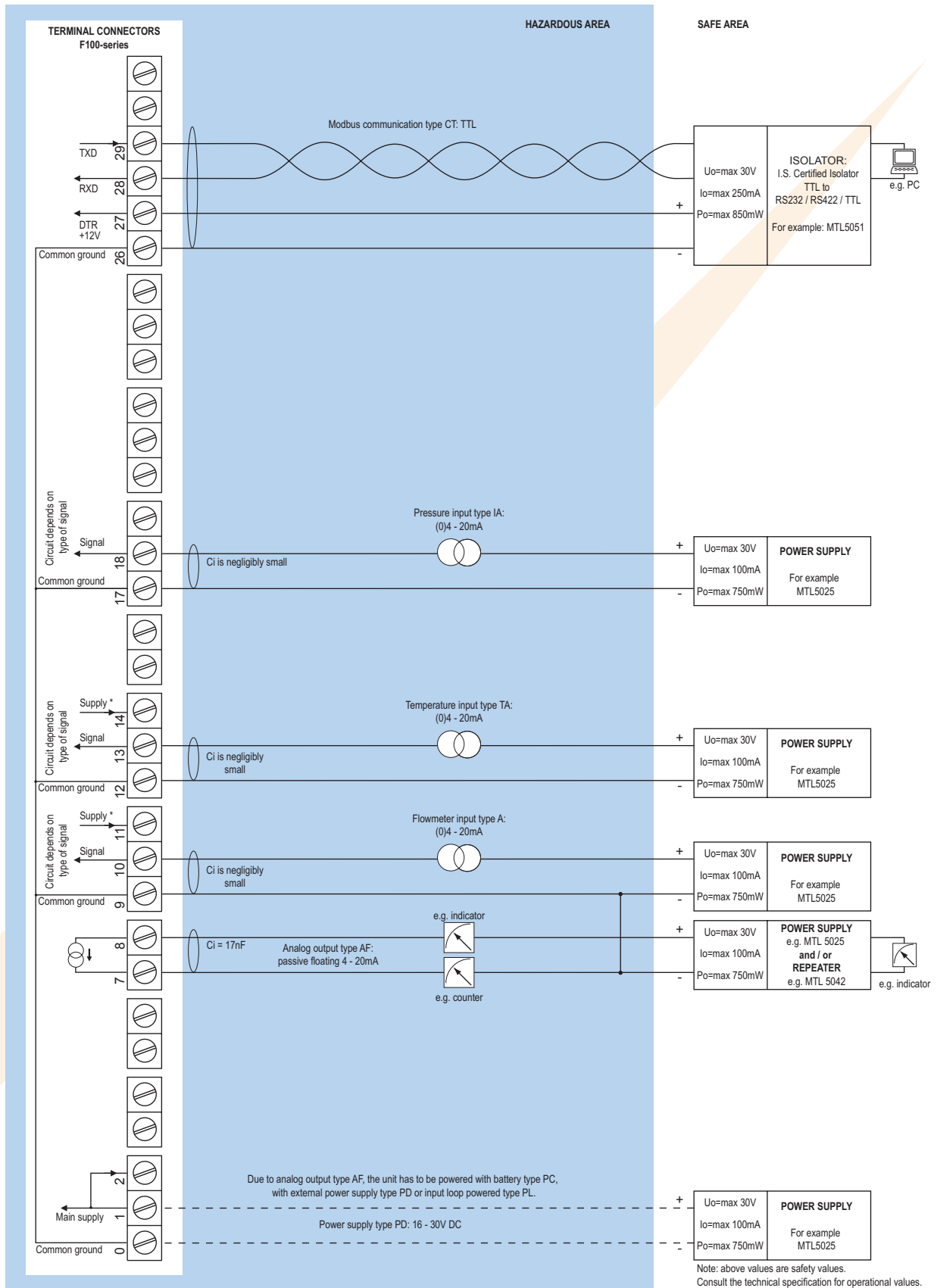
* Note sensor supply voltage: 1.2V DC for coil sensors or 3.2V DC for other pulse sensors.

Configuration example IIB and IIC - F126-A-AF-(CT)-EG-IA-PD-TA-XI - Power supply 16 - 30V DC



* Note power supply type PD: the supply voltage to pulse sensors is maximum 8.7V (U₀=max 8.7V I₀=max 25mA P₀=max 150mW) and to analog sensors as connected to terminal 1 (internally linked).

Configuration example IIB - F126-A-AF-CT-EG-IA-(PC)-(PD)-(PL)-TA-XI - Power supply 16 - 30V DC, battery or loop powered



* Note power supply type PD: the supply voltage to pulse sensors is maximum 8.7V ($U_o = \max 8.7V$ $I_o = \max 25mA$ $P_o = \max 150mW$) and to analog sensors as connected to terminal 1 (internally linked).

Technical specification

General

Display	
Type	High intensity reflective numeric and alphanumeric LCD, UV-resistant.
Dimensions	90 x 40mm (3.5" x 1.6").
Digits	Seven 17mm (0.67") and eleven 8mm (0.31") digits. Various symbols and measuring units.
Refresh rate	User definable: 8 times/sec. - 30 secs.
Option ZB	Transflective LCD with green LED backlight. Good readings in full sunlight and darkness.
Note	Only available for safe area applications.

Casing	
Window	Polycarbonate window.
Sealing	EPDM and PE.
Control keys	Three industrial micro-switch keys. UV-resistant polyester keypad.
Type HA	Die-cast aluminum field mount enclosure IP67 / NEMA 4X with 2-component UV-resistant coating.
Dimensions	130 x 114 x 58mm (5.1" x 4.5" x 2.28") - W x H x D.
Cable Entry	2 x PG9 and 1 x M20 tapped hole in the centre.
Weight	950 gr.
Type HB	Die-cast aluminum panel mount enclosure IP65 / NEMA 4 with 2-component UV-resistant coating.
Dimensions	130 x 114 x 50mm (5.1" x 4.5" x 1.97") - W x H x D.
Panel cut-out	115 x 96mm (4.53" x 3.78") L x H.
Weight	525 gr.
Type HC	ABS panel mount enclosure IP65 / NEMA 4, UV-resistant and flame retardent.
Dimensions	130 x 114 x 48mm (5.1" x 4.5" x 1.89") - W x H x D.
Panel cut-out	115 x 96mm (4.53" x 3.78") L x H.
Weight	300 gr.
Type HD	ABS wall mount enclosure IP67 / NEMA 4X, UV-resistant and flame retardent.
Dimensions	130 x 114 x 71mm (5.1" x 4.5" x 2.8") - W x H x D.
Cable Entry	None, user defined.
Weight	400 gr.
Type HU	Die-cast aluminum field mount enclosure IP67 / NEMA 4X with 2-component UV-resistant coating.
Dimensions	5.1" x 4.5" x 2.28" - W x H x D.
Cable Entry	3 x 1/2" NPT tapped hole.
Weight	950 gr.

Operating temperature	
Operational	-30°C to +80°C (-22°F to +178°F).
Intrinsically Safe	-30°C to +70°C (-22°F to +158°F).

Power requirements	
Type PB	Long life Lithium battery - life-time depends upon settings and configuration - up to 5 years.
Type PC	Intrinsically Safe long life lithium battery - life-time depends upon settings and configuration - up to 5 years.
Type PD	8 - 24V AC / DC ± 10%. Power consumption max. 10 Watt. Intrinsically Safe: 16 - 30V DC; power consumption max. 0.75 Watt.
Type PF	24V AC / DC ± 10%. Power consumption max. 15 Watt.
Type PL	Input loop powered from sensor signal 4 - 20mA (type "A") - requires types AI or AF.
Type PM	115 - 230V AC ± 10%. Power consumption max. 15 Watt.
Type PX	8 - 30V DC. Power consumption max. 0.5 Watt.
Type ZB	12 - 24V DC ± 10% or type PD / PF / PM. Power consumption max. 1 Watt.
Note PB/PF/PM	Not available Intrinsically Safe.

Power requirements (continuation)	
Note PF/PM	The total consumption of the sensors and outputs may not exceed 400mA @ 24V.
Note	For Intrinsically Safe applications, consult the safety values in the certificate.

Sensor excitation	
Type PB/PC/PX	3.2V DC for pulse signals and 1.2V DC for coil pick-up.
Note	This is not a real sensor supply. Only suitable for sensors with a very low power consumption like coils (sine wave) and reed-switches.
Type PD	1.2 - 3.2 - 8.2 - 12 and 24V DC - max. 50mA @ 24V DC.
Type PD-XI	1.2 - 3.2 - 8.2V DC - max. 7mA @ 8.2V DC and mains power supply voltage (as connected to terminal 1).
Note	In case PD-XI and signal A or U: the sensor supply voltage is according to the power supply voltage connected to terminal 1. Also terminal 2 offers the same voltage.
Type PM	1.2 - 3.2 - 8.2 - 12 and 24V DC - max. 400mA @ 24V DC.

Terminal connections	
Type	Removable plug-in terminal strip. Wire max. 1.5mm ² and 2.5mm ² .

Data protection	
Type	EEPROM backup of all settings. Backup of running totals every minute. Data retention at least 10 years.
Pass-code	Configuration settings can be pass-code protected.

Hazardous area	
Intrinsically Safe	ATEX approval ref.: II 1 GD EEx ia IIB/IIC T4 T100°C.
Type XI	Maximum ambient +70°C (158°F).
Explosion proof	ATEX approval ref.: II 2 GD EEx d IIB T5.
Type XF	Dimensions of enclosure: 350 x 250 x 200mm (13.7" x 9.9" x 7.9") L x H x D.
Weight	appr. 15 Kg.

Environment	
Electromagnetic compatibility	Compliant ref: EN 61326 (1997), EN 61010-1 (1993).

Signal inputs	
Flowmeter	
Type P	Coil / sine wave (minimum 20mVpp or 80mVpp - sensitivity selectable), NPN/PNP, open collector, reed-switch, Namur, active pulse signals 8 - 12 and 24V DC.
Frequency	Minimum 0Hz - maximum 7kHz for total and flowrate. Maximum frequency depends on signal type and internal low-pass filter. E.g. reed switch with low-pass filter: max. frequency 120Hz.
K-Factor	0.000010 - 9,999,999 with variable decimal position.
Low-pass filter	Available for all pulse signals.
Option ZF	coil sensitivity 10mVpp.
Type A	(0)4 - 20mA. Analog input signal can be scaled to any desired range within 0 - 20mA.
Type U	0 - 10V DC. Analog input signal can be scaled to any desired range within 0 - 10V DC.
Accuracy	Resolution: 14 bit. Error < 0.025mA / ± 0.125% FS. Low level cut-off programmable.
Span	0.000010 - 9,999,999 with variable decimal position.
Update time	Four times per second.
Voltage drop	Type A: 2.5V @ 20mA.
Load impedance	Type U: 3kΩ.
Relationship	Linear and square root calculation.
Note	For signal type A and U: external power to sensor is required; e.g. type PD.

Temperature	
Accuracy	Resolution: 14 bit. Error < 0.025mA / ± 0.125% FS. Low level cut-off programmable.
Update time	Four times per second.
Type TA	(0)4 - 20mA. Analog input signal can be scaled to any desired range within 0 - 20mA.
Span	0.000010 - 9,999,999 with variable decimal position.
Offset	0.00 - 99,999.99 K.
Voltage drop	2.5V @ 20mA.
Type TP	2 or 3 wire PT100.
Range	-100°C to +200°C (-148°F to 392°F). Accuracy 0.1°C (0.18°F).
Option ZV	Range: -200°C to +800°C (-328°F to 1832°F). Accuracy 0.5°C (0.9°F).
Type TU	0 - 10V DC. Analog input signal can be scaled to any desired range within 0 - 10V DC.
Span	0.000010 - 9,999,999 with variable decimal position.
Offset	0.00 - 99,999.99 K.
Load impedance	3kΩ.
Note 1	For signal TA and TU: power supply to temperature sensor is required; e.g. PD.

Pressure	
Accuracy	Resolution: 14 bit. Error < 0.025mA / ± 0.125% FS. Low level cut-off programmable.
Update time	Four times per second.
Type IA	(0)4 - 20mA. Analog input signal can be scaled to any desired range within 0 - 20mA.
Span	0.000010 - 9,999,999 with variable decimal position.
Offset	0.000 - 9,999.999.
Voltage drop	2.5V @ 20mA.
Type IU	0 - 10V DC. Analog input signal can be scaled to any desired range within 0 - 10V DC.
Span	0.000010 - 9,999,999 with variable decimal position.
Load impedance	3kΩ.
Note	For signal type IA and IU: external power to sensor required; e.g. PD.

Signal outputs

Analog output	
Function	Transmitting compensated flowrate.
Accuracy	10 bit. Error < 0.05%. Analog output signal can be scaled to any desired range.
Update time	Ten times per second.
Type AA	Active 4 - 20mA output (requires PD or PM).
Type AB	Active 0 - 20mA output (requires PD or PM).
Type AF	Passive floating 4 - 20mA output for Intrinsically Safe applications (requires PC, PL or PD).
Type AI	Passive galvanically isolated 4 - 20mA output - also available for battery powered models (requires PB, PD, PL or PM).
Type AP	passive 4 - 20mA output - not isolated. Unit will be loop powered.
Type AU	Active 0 - 10V DC output (requires PD or PM).

Communication option	
Function	Reading display information, reading / writing all configuration settings.
Protocol	Modbus RTU.
Speed	1200 - 2400 - 4800 - 9600 baud.
Addressing	Maximum 255 addresses.
Type CB	RS232
Type CH	RS485 2-wire
Type CI	RS485 4-wire
Type CT	TTL Intrinsically Safe.

Operational

Operator functions	
Displayed functions	<ul style="list-style-type: none"> Compensated flowrate. Compensated total and accumulated total. Actual line temperature. Actual line pressure Total can be reset to zero by pressing the CLEAR-key twice.

Total	
Digits	7 digits.
Units	L, m ³ , GAL, USGAL, KG, lb, bbl, no unit.
Decimals	0 - 1 - 2 or 3.
Note	Total can be reset to zero.

Accumulated total	
Digits	11 digits.
Units / decimals	According to selection for total.
Note	Can not be reset to zero.

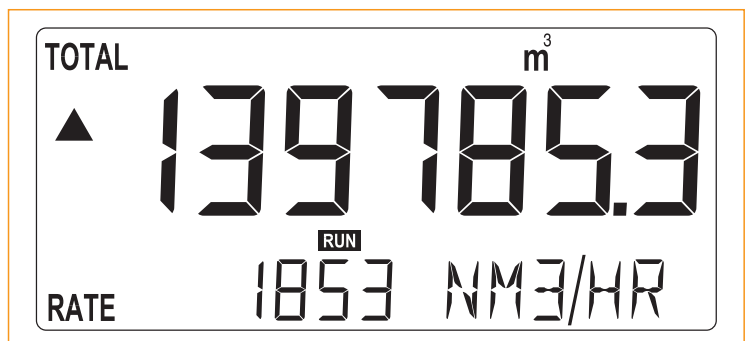
Flowrate	
Digits	7 digits.
Units	mL, L, m ³ , Gallons, KG, Ton, lb, bl, cf, RND, ft ³ , scf, Nm ³ , NL, igal - no units.
Decimals	0 - 1 - 2 or 3.
Time units	/sec - /min - /hr - /day.

Line temperature	
Digits	6 digits.
Units	°C, °F or K.
Decimals	1.

Line pressure	
Digits	6 digits.
Units	mbar, bar, PSI, no-unit.
Decimals	1.

Flow equations	
Type EG	Corrected gas volume.
Formula	$Q_{normal} = Q \times \left(\frac{P}{P_{normal}} \right) \times \left(\frac{T_{normal}}{T} \right) \times \left(\frac{C_{normal}}{C} \right)$
Normal pressure	Default: 1.013 bar.
Normal temperature	Default: 273.15K (0°C / 32°F)

Display example - 90 x 40mm (3.5" x 1.6")



Ordering information

Example (standard configuration)

F126-P-AP-CX-EG-HC-IA-PX-TA-XX-ZX.

Explanation standard configuration:

P: flowmeter signal: pulse; **AP:** passive 4 - 20mA analog output; **CX:** no communication; **EG:** equations corrected gas volume; **HC:** ABS panel mount enclosure; **IA:** (0)4 - 20mA pressure input signal; **PX:** basic power supply 8 - 30V DC (requires AP); **TA:** (0)4 - 20mA temperature input signal; **XX:** safe area; **ZX:** no options.

Ordering information:	F126	-	-A	-C	-EG	-H	-I	-P	-T	-X	-Z
Flowmeter input signal											
A	⊗	(0)4 - 20mA input.									
P	⊗	Pulse input: coil, npn, pnp, namur, reed-switch.									
U	⊗	0 - 10V DC input.									
Analog output signal											
AA		Active 4 - 20mA output - requires PD or PM.									
AB		Active 0 - 20mA output - requires PD or PM.									
AF	⊗	I.S. floating 4 - 20mA output - requires PC, PL or PD.									
AI		Isolated 4 - 20mA output - requires PB, PD, PL or PM.									
AP	⊗	Passive 4 - 20mA output, loop powered unit.									
AU		Active 0 - 10V DC output - requires PD or PM.									
Communication											
CB		Communication RS232 - Modbus RTU.									
CH		Communication RS485 - 2wire - Modbus RTU.									
CI		Communication RS485 - 4 wire - Modbus RTU.									
CT	⊗	Intrinsically Safe TTL - Modbus RTU.									
CX	⊗	No communication.									
Flow equations											
EG	⊗	Corrected gas volume.									
Enclosure											
HA	⊗	Aluminum field mount enclosure IP67 / NEMA 4X.									
HB	⊗	Aluminum panel mount enclosure IP65 / NEMA 4.									
HC	⊗	ABS panel mount enclosure IP65 / NEMA 4.									
HD	⊗	ABS wall mount enclosure IP67 / NEMA 4X.									
HU	⊗	Aluminum field mount enclosure IP67 / NEMA 4X.									
Pressure input											
IA	⊗	(0)4 - 20mA input.									
IU	⊗	0 - 10V DC input.									
Power supply											
PB		Lithium battery powered.									
PC	⊗	Lithium battery powered - Intrinsically Safe.									
PD	⊗	8 - 24V AC/DC + sensor supply - with XI: 16 - 30V DC.									
PL	⊗	Input loop powered from sensor signal type "A" - requires AI or AF and OT.									
PM		115 - 230V AC + sensor supply.									
PX	⊗	Basic power supply 8 - 30V DC (no real sensor supply). Unit requires external loop AP.									
Temperature input											
TA	⊗	(0)4 - 20mA input.									
TP	⊗	PT100 input.									
TU	⊗	0 - 10V DC input.									
Hazardous area											
XI	⊗	Intrinsically Safe.									
XF	⊗	EExd enclosure - 3 keys.									
XX		Safe area only.									
Other options											
ZB		Backlight.									
ZF	⊗	Coil input 10mVpp.									
ZV	⊗	PRTD-range -200°C / +800°C.									
ZX	⊗	No options.									

The bold marked text contains the standard configuration.

⊗ Available Intrinsically Safe.

Specifications are subject to change without notice.

FLUIDWELL bv
P.O. Box 6
5460 AA - Veghel - The Netherlands
Tel.: +31 (0)413 343786
Fax.: +31 (0)413 363443
sales@fluidwell.com
Internet: www.fluidwell.com

