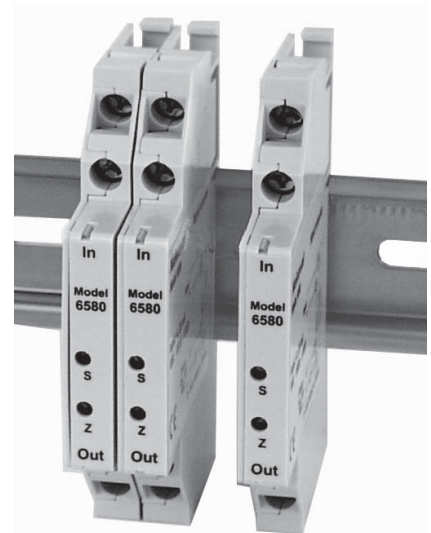


2-wire 4-20 mA isolator 6580

- Very slim, 9.5 mm only
- 2-wire output 4..20 mA
- Inputs 0..20 mA, 4..20 mA or 0..10 V
- Galvanic isolation 1000 V
- Power supply 10..34 VDC
- Voltage drop in input loop 1V
- Output load 700 ohm (with 24 V)
- Accuracy 0.05% FS
- Specially suited for programmable logics

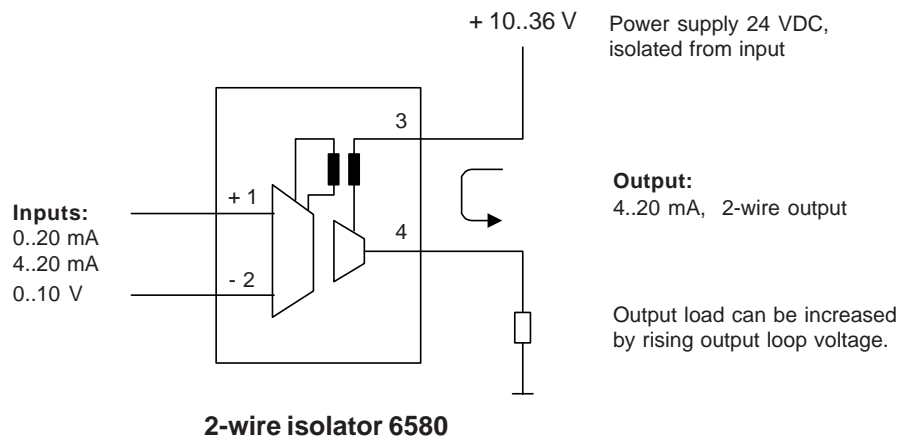


Nokeval has designed a very slim, 9 mm only, 2-wire converter with galvanic isolation. Converter is powered by output 2-wire loop. It is specially suited to isolate analog inputs of programmable logics because those supply the power and wiring is simple. The idea of connecting power supply to output side eliminates typical problems of conventional isolators like small output load and high input side voltage drop.

Three input types are available: 0..20 and 4..20 mA or 0..10V, output is always 4..20 mA. Output load is 700 ohm by 24 VDC power supply. You can increase output

load by rising output loop voltage (see picture 3). Input voltage drop, 1 V only, enables connection of several devices to same input loop. Converter is delivered calibrated to 0.05 % accuracy of full scale. Front cover has zero and span potentiometers for eventually recalibration. The damping of standard 6580 is 10 ms.

Signal isolator 6580



Technical specification:

Input	0..20, 4..20 mA, 0..10V
Output	2-wire 4..20 mA
Accuracy	< 0.05% FS
Repeatability	< 0.03 % FS
Temperature drift	0.006%/°C
Input load	50 Ω current input > 1 MΩ voltage input
Power supply	10..36 VDC
Output load	700 Ω (24V) picture 3.
Isolation voltage	>1000 V / 1 min
Damping:	10 ms
Frequency range	0..100 Hz
Ambient temperature	-20..60°C
Case dimensions	9 x 88 x 58 mm
Installation	DIN-rail, 35 mm
Terminal blocks	2 x 2.5 mm ²

Order code: 6580- 4/20mA

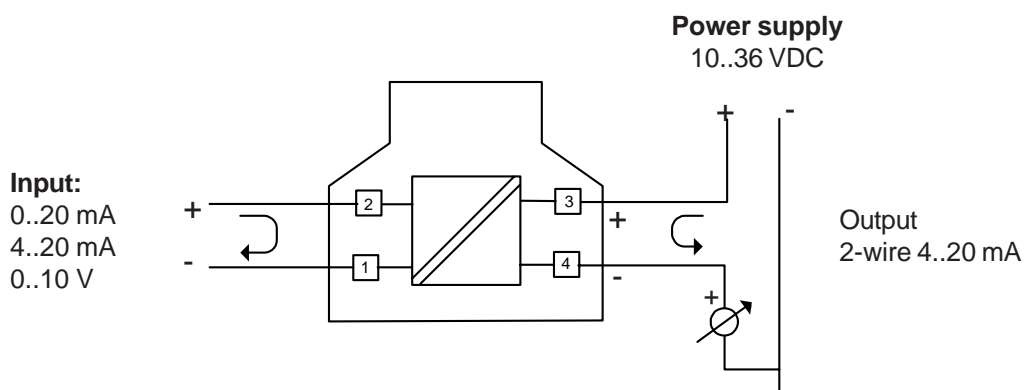
Input:
0...20 mA
4..20 mA
0..10V



Output always 4..20 mA

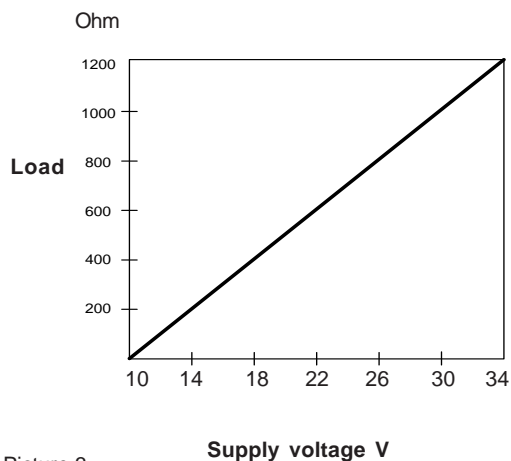
For other input and output signal combinations we offer model 641 with 24 VDC power supply.

Terminal connections:



Picture 2.

Output load / supply voltage



Picture 3.

Case dimensions:

